

DigDes: Digital Design

Naoki Pross – naoki.pross@ost.ch

Spring Semester 2021

Contents

1	Development model	1
2	VHSIC Hardware Description Language (VHDL)	1
2.1	Basic syntax and identifiers	1
2.2	Structure and Libraries	1
2.3	Entities and Architectures	1
2.4	Type system	1
2.4.1	Electric types	1
2.4.2	Arithmetic types	2
2.4.3	Array type	2
2.4.4	Custom enumeration types	2
2.4.5	Physical types	2
2.4.6	Resizing vectors	3
2.4.7	Type casting and conversion	3
2.5	Declarations	3
2.6	Concurrent Area	3
2.6.1	Signal assignment and simple gates	3
2.6.2	Aggregates	4
2.6.3	Selective and conditional assignment	4
2.6.4	Components	4
2.6.5	Processes	4
2.7	Pitfalls and RTL model	5
2.8	Generic Parameters	5
2.8.1	Generic entity and declaration	5
2.8.2	Generic mapping (Concurrent Area)	5
3	State Machines	5
3.1	Encoding the state	5
3.2	Updating the state register (Z)	6
3.3	Updating the state (G)	6
3.4	Updating the output (F)	6
4	Testing	6
4.1	Simulator	6
4.2	Transport delay	6
4.3	Generate stimuli	7
4.4	Assertions	7

License

This work is licensed under a [Creative Commons “Attribution-NonCommercial-ShareAlike 4.0 International”](https://creativecommons.org/licenses/by-nc-sa/4.0/) license.



1 Development model

The workflow for the development is show in figure 1. In the Gajski-Kuhn Y-model has 3 axis for the perspectives of the product. It is typical to start from the behavioral axis, by treating the systems as a black-box, and then to jump back and forth between the other axis while gravitating towards the origin (project goal).

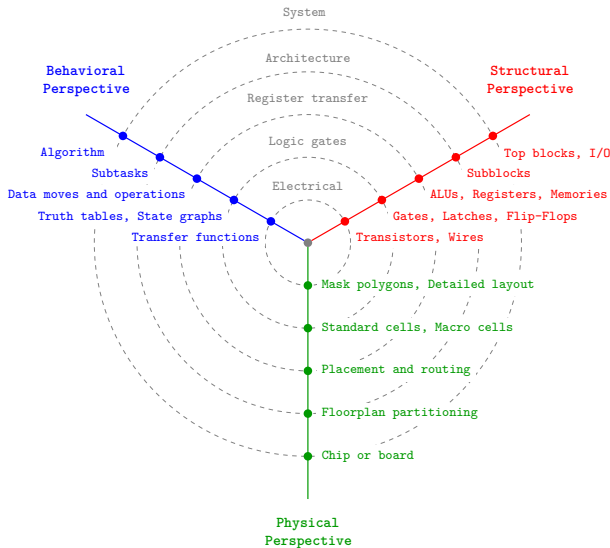


Figure 1: Gajski-Kuhn Y-chart.

2 VHSIC Hardware Description Language (VHDL)

2.1 Basic syntax and identifiers

In VHDL an identifier is a case insensitive string composed of A-Z a-z 0-9 _ that

- is not a keyword,
- does not start with a number or `_`,
- does not have two or more `_` in a row.

Expressions are terminated by a semicolon `;`. Two dashes in a row cause the rest of the line to be interpreted as a comment.

```
1 expression; -- comment
```

2.2 Structure and Libraries

The VHDL code is organized into *libraries* declared with the `library` keyword. The library of your code is called `work`, standard features (`bit`, `integer`, ...) are found in `std`, and IEEE standard parts are in `ieee`. `work` and `std` are always implicit and must not be declared.

```
1 library <library name>;
```

Once declared a library is composed of *packages*, which can contain elements (constants, entities, ...). To access the elements the syntax is

```
1 <library>.<package>.<element>;
```

To avoid having to write a long name every time it is possible to import names using

```
1 use <library>.<element or all>;
2 use <library>.<package>.<element or all>;
```

2.3 Entities and Architectures

In VHDL the concept of *entity* describes a black box of which only inputs and outputs are known. The internals of an entity are described through an *architecture*. There can be multiple architectures for a single entity.

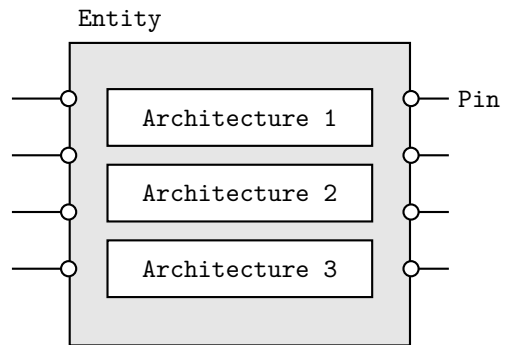


Figure 2: An entity is a black box, that can have multiple architectures.

Entities are declared with `port()` that may contain a list of pins. Pins have a mode that can be `in` input (only LHS¹), `out` output (only RHS²), `inout` bidirectional or `buffer` that can stay both on LHS and RHS. The usage of the latter is discouraged in favour of an internal signal.

```
1 entity <name> is
2   port(
3     <pin> : <mode> <type>;
4     [more pins];
5     <pin> : <mode> <type>
6   );
7 end entity [name];
```

Architectures are normally named after the design model, examples are `behavioral`, `structural`.

```
1 architecture <name> of <entity> is
2   -- declare used variables, signals and
3     ↳ component types
4 begin
5   -- concurrent area
6 end architecture [name];
```

2.4 Type system

2.4.1 Electric types

VHDL provides some types such as

- `boolean` true or false,
- `bit` 0 or 1,

¹Left hand side
²Right hand side

- `bit_vector` one dimensional array of bits,
- `integer` 32-bit binary representation of a value.

From external (standard) libraries other types are available:

- `std_logic` advanced logic with 9 states,
- `std_ulogic` same as the previous but *unresolved*.

The above are from the `ieee.std_logic_1164` library, and can take the values described in table 1. For the

Value	Meaning	Usage
U	Uninitialized	In the simulator
X	Undefined	Simulator sees a bus conflict
0	Force to 0	Low state of outputs
1	Force to 1	High state of outputs
Z	High Impedance	Three state ports
W	Weak Unknown	Simulator sees weak a bus conflict
L	Weak Low	Open source outputs with pull-down resistor
H	Weak High	Open drain output with pull-up resistor
-	Don't care	Allow minimization

Table 1: Possible values for `std_logic` signals.

resolved types, i.e. `std_logic` types, when a signal is multiply driven the conflict is resolved according to table 2. Unresolved types will give a synthesization error. A good example is a tri-state bus:

```

1 architecture tristate of buscontrol is
2 begin
3   bus_read: inp <= bus_io;
4
5   bus_write: process(enable, oup)
6   begin
7     bus_io <= (others => 'Z');
8     if enable = '1' then
9       bus_io <= oup;
10    end if;
11  end process;
12 end architecture tristateout;
```

	U	X	0	1	Z	W	L	H	-
U	U	U	U	U	U	U	U	U	U
X	U	X	X	X	X	X	X	X	X
0	U	X	0	X	0	0	0	0	X
1	U	X	X	1	1	1	1	1	X
Z	U	X	0	1	Z	W	L	H	X
W	U	X	0	1	W	W	W	W	X
L	U	X	0	1	L	W	L	W	X
H	U	X	0	1	H	W	W	H	X
-	U	X	X	X	X	X	X	X	X

Table 2: Resolution table when a `std_logic` signal is multiply driven.

2.4.2 Arithmetic types

For arithmetic operations two more types `signed` and `unsigned` (as well as their unresolved equivalents `u_signed` and `u_unsigned`) can be imported (together with many others for ex. `natural`) from the library `ieee.numeric_std`. Arithmetic types support the operations in table 3.

Syntax	Operator	Note
+	Addition	
-	Subtraction	
<code>abs()</code>	Absolute value	
*	Multiplication	
/	Division	Typically no
**	Power	Only powers of 2
<code>mod</code>	Modulo	Only modulo of 2^k
<code>rem</code>	Remainder	Only of division by 2^k
=	Equality	
/=	Inequality	
<, >	Lower, greater	
<=, >=	Lower, greater or equal	Same the assignment operator, however it is always clear from context.

Table 3: Arithmetic operations from the `numeric_std` library.

2.4.3 Array type

Arrays types (fields) of other types can be define with the following.

```

1 type <name> is array (<upper
   limit> downto <lower limit>) of <base type>;
```

2.4.4 Custom enumeration types

It is possible to create custom types, usually to create state machines.

```

1 type <name> is (<identifier>, <identifier>, ...);
```

2.4.5 Physical types

For variables that represent physical dimensions it is possible to create values with units with the following:

```

1 type <name> is range <min> to <max>
2 units
3   <base unit>;
4   [multiples of base unit];
5 end units;
```

for example:

```

1 type CAPACITANCE is range 0 to 1E30
2 units
3   pf;
4   nf = 1000 pf;
5   uf = 1000 nf;
6   mf = 1000 uf;
7 end units;
```

2.4.6 Re sizing vectors

VHDL has a function

```
1 function resize(arg: signed; new_size:
   ↪ natural) return signed;
```

that allow to re size vector types. When resizing a vector of signed type to a higher number of bits the `resize` function cleverly fills the extra bits 1s or 0s to not mess up the two's complement. Together with the `resize` function an often used feature is the `'length` attribute, that returns the size (in bits) of the identifier.

```
1 y <= resize(a, y'length);
```

2.4.7 Type casting and conversion

When two signals have the same underlying type it is always possible to perform a *type cast* using the following syntax.

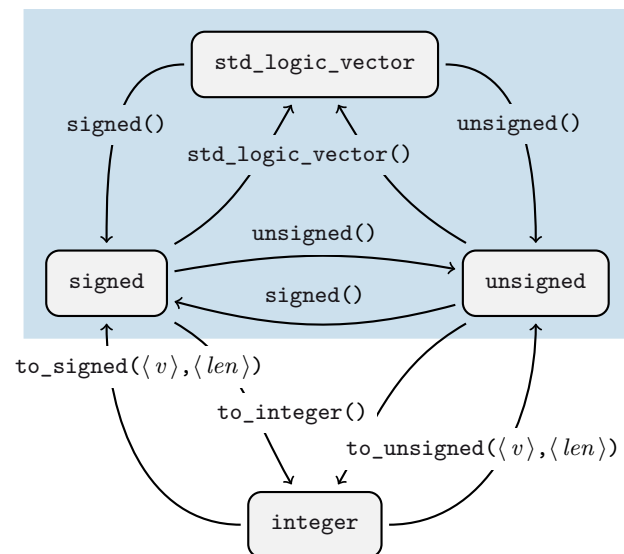
```
1 <destination> = <type name>(<source>);
```

For example:

```
1 architecture behavioral of cast_example
2   signal a_int, b_int :
3     std_logic_vector(3 downto 0);
4   signal s_int : unsigned(3 downto 0);
5 begin
6   s_int <= unsigned(a_int)
7     + unsigned(b_int);
8 end architecture;
```

When the conversion is between signals with a different underlying type it is a (potentially lossy) *type conversion*. The syntax for a conversion is:

```
1 <destination> = to_<type name>(<source>);
```



2.5 Declarations

Before a `begin - end` block, there is usually a list of declarations. A self evident examples are *constants*.

```
1 constant <name> : <type> := <value>;
```

Next, *signals* and *variables*. Signals is are wires, they can only be connected and do not have an initial state. Variables can be assigned like in software, but can cause the synthesization of an unwanted D-Latch.

```
1 signal <name>, [ <name>, ... ] : <type>;
2
3 variable <name>, [ <name>, [ ... ] : <type>;
4 variable <name> : <type> := <expression>;
```

For the hierarchical designs, when external entities are used, they must be declared as components. The `port()` expression must match the entity declaration.

```
1 component <entity name> is
2   port(
3     [list of pins]
4   );
5 end component;
```

For entities with multiple architectures, it is possible to choose which architecture is used with the following expression.

```
1 for <label or all>: use entity <library>.
   ↪ <entity>(<architecture>);
```

2.6 Concurrent Area

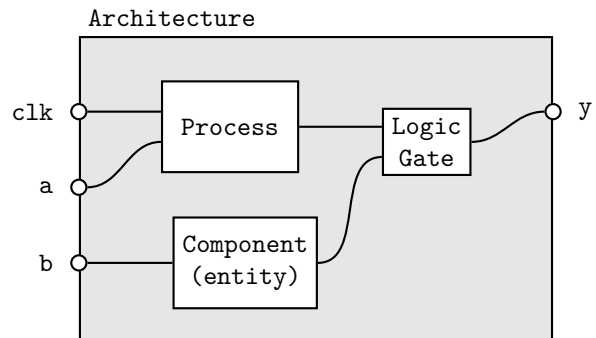


Figure 3: In the concurrent area statements are not interpreted sequentially.

In the architecture between `begin` and `end`, the expressions are *not* read sequentially, everything happens at the same time. Statements inside the concurrent area optionally have a label.

```
1 [label]: <concurrent statement>;
```

In the concurrent area signals, components and processes can be used to create a logic.

2.6.1 Signal assignment and simple gates

Signals are assigned using `<=`.

```
1 [label]: <signal> <= <expression>;
```

Simple logic functions such as `not`, `and`, `or`, `xor`, etc. can be used.

```
1 y <= (a and s) or (b and not(s));
```

2.6.2 Aggregates

For vector types it is possible to create a value out of multiple signals.

```
1 <vector> <= (
2   <index> => <source or value>,
3   <index> => <source or value>,
4   [others] => <source or value>
5 );

1 -- declaration
2 signal data : bit_vector(6 downto 0);
3 signal a, b : bit;

1 -- concurrent
2 data = (1 => a, 0 => b, others => '0')
```

2.6.3 Selective and conditional assignment

Higher level conditions can be written in two ways.

```
1 -- using when
2 [label]: y <= <source> when <condition> else
3   <source> when <condition> else
4   <source> when <condition>;

1 -- using with
2 [label]: with <signal> select <dest> <=
3   <source> when <value>,
4   <source> when <value>,
5   <source> when others;
```

2.6.4 Components

External components that have been previously declared can be used with the `port map`(*assignments*) syntax. For example:

```
1 -- declaration
2 component flipflop is
3   port(
4     clk, set, rst : in std_ulogic,
5     Q, Qn         : out std_ulogic
6   );
7 end component flipflop;
8
9 signal clk_int, a, b : in std_ulogic;
10 signal y, z         : out std_ulogic;

1 -- concurrent
2 u1: component flipflop
3   port map(
4     clk => clk_int,
5     set => a,
6     rst => b,
7     Q  => y,
8     Qn => z
9   );
```

2.6.5 Processes

For more sophisticated logic VHDL offers a way of writing sequential statements called *process*.

```
1 [label]: process ([sensitivity list])
2 -- declarations
3 begin
4   -- sequential statements
5 end process;
```

Processes have a *sensitivity list* that can be empty. When a signal in the sensitivity list changes state, the process is executed. With an empty sensitivity list, the process runs continuously. In the declaration, everything from §2.5 applies. For the sequential statements, the following applies:

- Neither selective (`with`) nor conditional (`when`) should be used. They are replaced with new sequential constructs (`if` and `case`).
- Signal assignments (with `<=>`) change their value *only at the end of the process*.
- Variables on the other hand change as soon as they are assigned (with `:=`).

And for good practice:

- Before any `if` or `case` default values should be assigned.
- Any signal on the RHS should be in the sensitivity list.
- Processes with empty sensitivity lists should only be used for simulations.

The sequential replacements for `with` and `when` are in the listings below.

```
1 if <condition> then
2   -- sequential statements
3 elsif <condition> then
4   -- sequential statements
5 else
6   -- sequential statements
7 end if;

1 case <expression> is
2   when <choice> =>
3     -- sequential statements
4   when <choice> =>
5     -- sequential statements
6   when others =>
7     -- sequential statements
8 end case;
```

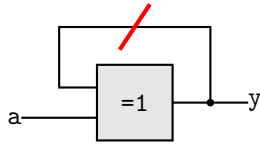
Processes can detect *attributes* of signals. Typically it is used for clocks. There are also other attributes such as `s'stable(t)`.

```
1 process (clk)
2 begin
3   -- rising edge
4   if clk'event and clk = '1' then
5     ... end if;
6   if rising_edge(clk) then
7     ... end if;
8
9   -- falling edge
10  if clk'event and clk = '0' then
11    ... end if;
12  if falling_edge(clk) then
13    ... end if;
14 end process;
```

2.7 Pitfalls and RTL model

Coming from a programming language, a common pitfall is to write something like

```
1 -- wrong!!!
2 y <= y xor a;
```



but this will be synthesised into an oscillating circuit, that must be avoided at all costs. The correct way is to have a memory for the next state, with a logic separated into combinatorial and sequential parts.

```
1 -- combinatorial
2 y_next <= y xor a;
3 -- sequential
4 process (clk)
5 begin
6   if rising_edge(clk) then
7     y <= y_next;
8   end if;
9 end process;
```

This method is known as *register transfer level* design.

2.8 Generic Parameters

Sometimes a group of components have a very similar structure, so instead of rewriting multiple similar interfaces it is desirable to have *parameters* and a *generic* entity, for example in the case of a binary counter's range. To solve the problem using signals with conditional statements would generate unnecessary hardware, while constants cannot change the entity's port. Thus there is a syntax:

```
1 generic(
2   <param name> : <type> := <initial value>;
3   [more parameters];
4   <param name> : <type> := <initial value>
5 );
```

that has affects at *synthesization time*.

2.8.1 Generic entity and declaration

Entities are parametrized as follows.

```
1 entity <name> is
2   generic(<parameters>);
3   port(<pins>);
4 end entity <name>;
```

For example:

```
1 entity counter is
2   generic(CNT_MAX : natural := 127);
3   port(
4     clk, rst, ena : in std_logic;
5     -- adjust to a power of 2
6     count : out std_logic_vector(
7       (natural(ceil(
8         log2(real(CNT_MAX + 1)))) - 1)
9       downto 0);
10  end entity;
```

And in the architecture it is possible to access generic values in a similiary way. Another example is a clock divider.

```
1 entity clockdivider is
2   generic(DIV_FACTOR : natural := 128);
3   port(...);
4 end entity;
5
6 architecture RTL of clockdivider is
7   signal cnt, cnt_next : natural range 0
8     ↪ to (DIV_FACTOR - 1);
9   ...
```

2.8.2 Generic mapping (Concurrent Area)

To map a generic entity into a structural design the syntax is extended accordingly with `generic map()`.

```
1 -- definition
2 component <generic entity> is
3   generic(<parameters>);
4   port(<pins>);
5 end component;
6
7 [label]: component <generic component>
8   generic map(
9     <parameter> => <constant or parameter>,
10    ...
11  );
12 port map(
13   <pin> => <signal or pin>,
14   ...
15 );
```

3 State Machines

3.1 Encoding the state

For Mealey and Moore machines it is typical to write:

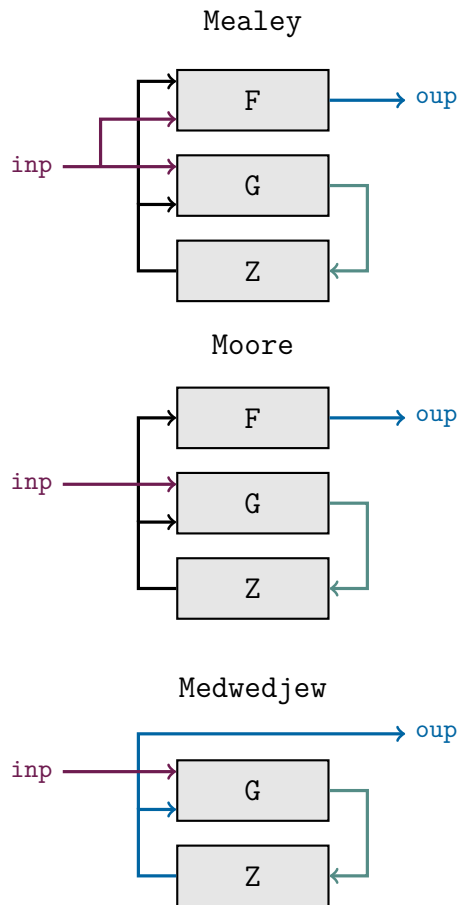
```
1 type state_type is (st_rst, st_a, st_b,
2   ↪ st_c, ...);
3 signal present_state, next_state :
4   ↪ state_type;
```

The encoding of the state is left to the synthesizer or can be configured in the graphical interface of the tool. If a custom encoding is required (Medwedjew), adding the following generates a custom encoding.

```
1 attribute enum_encoding : string;
2 attribute enum_encoding of state_type :
3   type is "0001 0010 0100 ...";
```

Or an equivalent approach is to use a vector subtype and constants.

```
1 subtype state_type is bit_vector(3 downto
2   ↪ 0);
3 constant st_rst : state_type := "0001";
4 constant st_a : state_type := "0010";
5 constant st_b : state_type := "0100";
6 ...
7
8 signal present_state, next_state :
9   ↪ state_type;
```



3.2 Updating the state register (Z)

```

1 register_logic: process (clk, rst)
2 begin
3   -- asynchronous reset
4   if rst = '1' then
5     present_state <= st_rst;
6
7   -- clock
8   elsif rising_edge(clk) then
9     present_state <= next_state;
10  end if;
11 end process;

```

3.3 Updating the state (G)

```

1 next_state_logic:
2 process (present_state, [inputs])
3 begin
4   -- default value
5   next_state <= state_rst;
6
7   case present_state is
8     when st_rst =>
9       -- reset state logic
10      next_state <= <state>;
11
12     when st_a =>
13       -- logic using inputs
14       next_state <= <state>;
15
16     ...

```

```

17   when others => null;
18   end case;
19 end process;

```

3.4 Updating the output (F)

Mealey

```

1 output_logic:
2 process (present_state, <inputs>)
3 begin
4   -- logic with state and inputs
5   <output> <= <expression>;
6 end process;

```

Moore

```

1 output_logic: process (present_state)
2 begin
3   case present_state is
4     when st_rst =>
5       <output> <= <value>;
6
7     ...
8   end case;
9 end process;

```

Medwedjew

```

1 output_logic: <output> <= present_state;

```

4 Testing

To simulate a digital circuit it is possible to write test benches using VHDL. The code in this section may no longer be synthesizable, and is usually written by a *test designer*.

4.1 Simulator

VHDL simulates digital systems using *delta cycles*.

4.2 Transport delay

To model a time delay of a signal there are two ways:

```

1 y <= transport <expression> after <time>;
2 y <= inertial <expression> after <time>;

```

When **transport** is used, the output changes only exactly after the specified time, the simulator simply waits. With **inertial**, the output is also delayed, but only if the input lasts more than the specified time. This means that for example with a time of 10 ns a pulse of 5 ns will be ignored. This is much more typical and realistic, thus when unspecified, **after** is interpreted as **inertial ... after**.

```

1 y <= <expression> after <time>;

```

4.3 Generate stimuli

Simple stimuli (signals) are generated using processes. For example a clock signal done in three ways:

```
1 -- declaration
2 constant f : integer := 1000;
3 constant T : time    := 1 sec/f;
4 signal clk0, clk1, clk2 : std_ulogic;

1 -- concurrent
2 clock0: process
3 begin
4   clk <= '1'; wait for (T/2);
5   clk <= '0'; wait for (T/2);
6 end process;
7
8 clock1: process
9 begin
10  clk1 <= '1';
11  loop
12    wait for (T/2);
13    clk1 <= not clk1;
14  end loop;
15 end process;
16
17 -- lazy way
18 clock2: clk2 <= not clk2 after (T/2);
```

One time stimuli can be modelled using the following expression. Note that the time is absolute.

```
1 tb_sig <= '0',
2   '1' after 20 ns,
3   '0' after 30 ns, -- 10 ns later
4   <value> after <time>;
```

Repeating sequences can be created using processes.

```
1 sequence: process
2 begin
3   tb_sig <= '0';
4   wait for 20 ns;
5   tb_sig <= '1';
6   wait for 10 ns;
7   ...
8 end process;
```

For loops are also available, and can be synthesised if they run over a finite range.

```
1 [label]: for <parameter> in <range> loop
2   -- sequential statements
3 end loop [label];
```

A concrete example:

```
1 -- declaration
2 constant n : integer := 3;
3 signal a, b : std_ulogic_vector(n-1
4   ↪ downto 0);

1 -- sequential
2 for i in 0 to 2**n -1 loop
3   a <= std_ulogic_vector(
4     to_unsigned(i, n));
5   for k in 0 to 2**n -1 loop
6     b <= std_ulogic_vector(
7       to_unsigned(k, n));
8   end loop;
9 end loop;
```

4.4 Assertions

Assertions are used write tests to check that a signal is in the correct state.

```
1 [label]: assert <condition> report <string>
2   ↪ severity <severity>;
```

The `report` and `severity` are optional but strongly advised. The severity can take one of 4 values: `note`, `warning`, `error`, `failure`. Simulations can be configured to stop in when an error of the desired severity occurs. An example:

```
1 assert (tb_y = '0') report "error at
2   ↪ vector 11" severity error;
```