

10 9 8 7 6 5 4 3 2 1

F

E

D

C

B

A

F

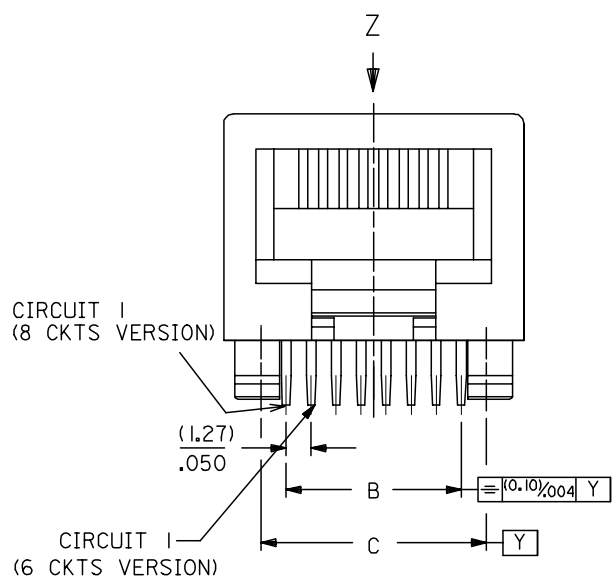
E

D

C

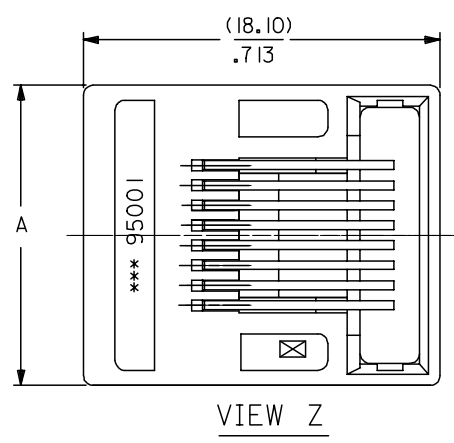
B

A

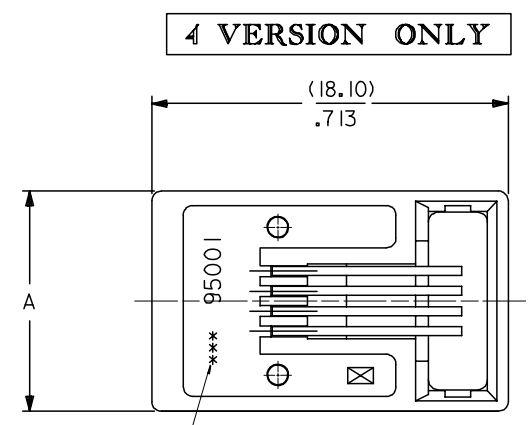


6 & 8 VERSIONS

8 VERSION SHOWN

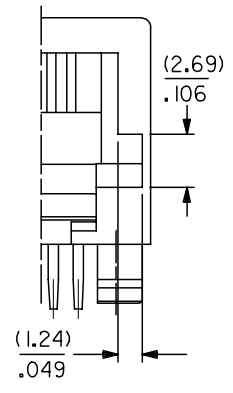


VIEW Z

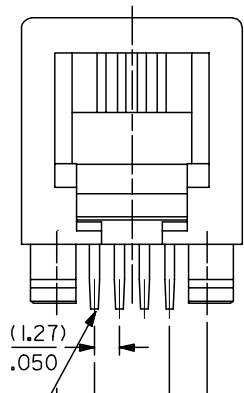


4 VERSION ONLY

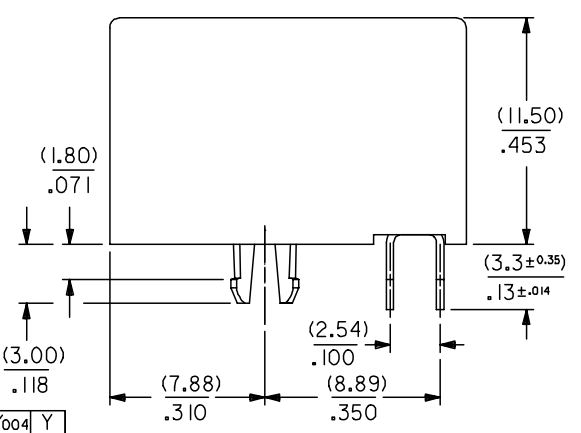
NOTE 5



OPTIONAL KEYING



CIRCUIT 1 (4 CKTS VERSION)



NOTES :

- 1- MATERIAL:
 - HOUSING: LCP GLASS FILLED UL 94V-0, COLOUR BLACK.
 - TERMINAL: PHOSPHOR BRONZE .
 - PLATING 2:
 - POST PLATE (0.00127)/.000050 MIN GOLD IN CONTACT AREA
 - (0.00190)/.000075 MIN PURE TIN IN TAIL AREA
 - BOTH OVER (0.00127)/.000050 MIN NICKEL OVERALL.
- 2- JACK FOR MATING WITH F.C.C. 68 PLUGS 90075 MOLEX SERIES.
- 3- PRODUCT SPECIFICATION PS-9550I.
- 4- PACKAGING SPECIFICATION PK-9500I: STANDARD PACKAGING SHEET 1. SPECIAL PACKAGING SHEET 2. TUBE PACKAGING SHEET 3.
- 5- MANUFACTURING I.D. CAN BE EITHER MXF, MG OR MXI.
- 6- RECOMMENDED PCB THICKNESS: 1.6mm

DIM.	TYPE	POS. 4		POS. 6		POS. 8	
		4 CKTS.	4 CKTS.	6 CKTS.	6 CKTS.	8 CKTS.	8 CKTS.
A		(11.18) / .440	(13.21) / .520	(13.21) / .520	(15.24) / .600		
C		(7.62) / .300	(10.16) / .400	(10.16) / .400	(11.43) / .450		
B		(3.81) / .150	(3.81) / .150	(6.35) / .250	(8.89) / .350		

MODIFIED NOTES.
 EC NO: E2008-076
 2007/10/05
 DRWN:DBYRNES
 2007/10/05
 CHKD:
 2007/10/05
 APPR:EOMAHONY
 2007/10/05

QUALITY SYMBOLS
 ▽=0
 ▽=0

GENERAL TOLERANCES (UNLESS SPECIFIED)	
mm	INCH
4 PLACES ±---	±---
3 PLACES ±---	±.006
2 PLACES ±0.15	±.010
1 PLACE ±0.25	±---
ANGULAR ±---°	

DIMENSION STYLE	
MM	IN
DRAWN BY	DATE
DBYRNES	2006/08/02
CHECKED BY	DATE
EOMAHONY	2006/08/12
APPROVED BY	DATE
EOMAHONY	2006/08/12
MATERIAL NO.	
SEE CHART SHEETS 4.56&8	

SCALE	DESIGN UNITS	THIRD ANGLE PROJECTION
4:1	METRIC	☉
TITLE		
R/A LOW PROFILE PC JACK 4,6,8 CKTS SIZE THROUGH HOLE VERSION		
MOLEX INCORPORATED		
DOCUMENT NO.	SHEET NO.	
SD-95501-001	1 OF 5	
THIS DRAWING CONTAINS INFORMATION THAT IS PROPRIETARY TO MOLEX INCORPORATED AND SHOULD NOT BE USED WITHOUT WRITTEN PERMISSION		

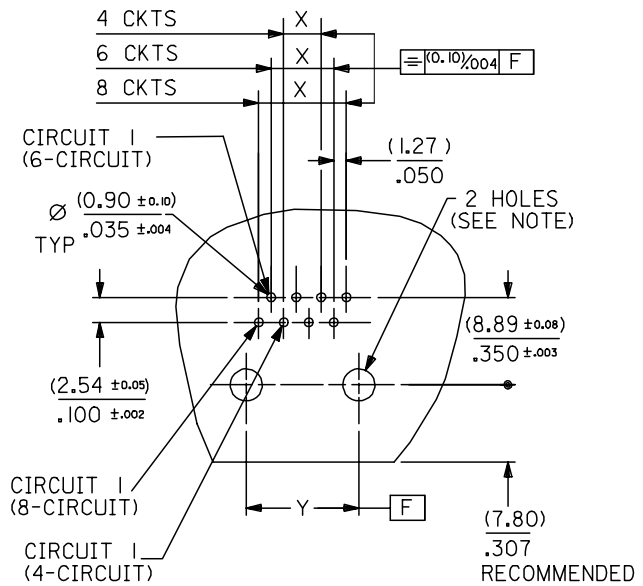
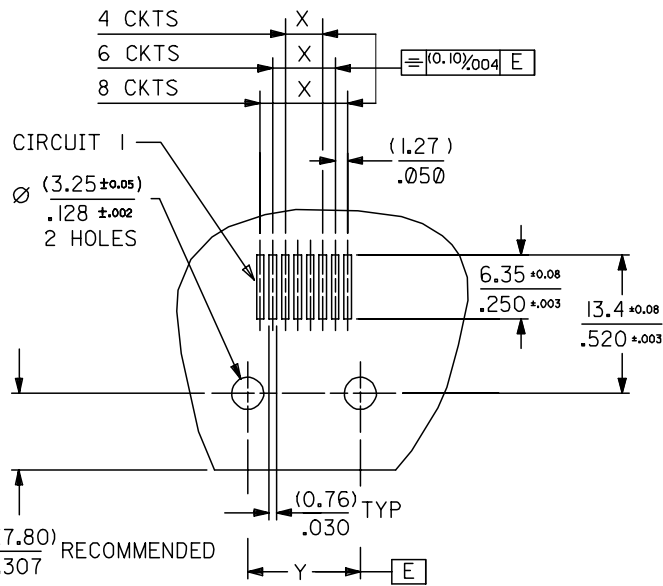
9 8 7 6 5 4 3 2 1

TYPE \ DIM.	POS. 4	POS. 6		POS. 8
	4 CKTS.	4 CKTS.	6 CKTS.	8 CKTS.
Y $\pm 0.05 / \pm 0.02$	(7.62) / .300	(10.16) / .400	(10.16) / .400	(11.43) / .450
X $\pm 0.05 / + 0.02$	(3.81) / .150	(3.81) / .150	(6.35) / .250	(8.89) / .350

P.C.B. MOUNTING PATTERNS - SEE FROM COMPONENT SIDE

FOR SMT JACK TYPE (SURFACE MOUNT)

FOR STANDARD JACK TYPE (THROUGH HOLE)



FOR ALL VERSIONS, CIRCUIT 1 ALWAYS ON THE LEFT SIDE

NOTE:
 FOR CONVECTION SOLDERING: DIA 3.25±0.05 / .128±.002
 FOR WAVE SOLDERING: DIA 3.20±0.10 / .126±.004

REV	DESCRIPTION
B	MODIFIED TABLE
	EC NO: E2008-0176
	DRWN: DBYRNES 2007/10/05
	CHKD: 2007/10/05
	APPR: EOMAHONY 2007/10/05

QUALITY SYMBOLS
▽=0
∇=0

GENERAL TOLERANCES (UNLESS SPECIFIED)	
mm	INCH
4 PLACES ± ---	± ---
3 PLACES ± ---	± .006
2 PLACES ± 0.15	± .010
1 PLACE ± 0.25	± ---
ANGULAR ± ---°	
DRAFT WHERE APPLICABLE MUST REMAIN WITHIN DIMENSIONS	

DIMENSION STYLE	
MM/IN	
DRAWN BY	DATE
DBYRNES	2006/08/02
CHECKED BY	DATE
EOMAHONY	2006/08/12
APPROVED BY	DATE
EOMAHONY	2006/08/12
MATERIAL NO.	
SEE CHART SHEETS 4,5&6	

SCALE	DESIGN UNITS	THIRD ANGLE PROJECTION	
2:1	METRIC		
TITLE			
R/A LOW PROFILE JACK			
PC JACK 4,6,8 CKT SIZE			
SMT AND STANDARD VERSION			
MOLEX INCORPORATED			
DOCUMENT NO.		SHEET NO.	
SD-95501-001		3 OF 5	
THIS DRAWING CONTAINS INFORMATION THAT IS PROPRIETARY TO MOLEX INCORPORATED AND SHOULD NOT BE USED WITHOUT WRITTEN PERMISSION			

STANDARD PACKAGING OPEN TRAY ,SEE PACKAGING SPEC PK95001 SHEET 1

PART NO FOR JACK ASSEMBLY
THROUGH HOLE VERSION

HOUSING SIZE	LOADED CONTACTS	PLATING	LCP GLASS FILED 94V0,COLOR BLACK.							
			NO KEY		KEY					
			NOT RIBBED	TOOLED	NOT RIBBED	TOOLED	TOOLED	TOOLED		
4	4	2	95501-2441	X						
6	4	2	95501-2641	X						
6	6	2	95501-2661	X						
8	8	2	95501-2881	X	95501-2882	X				

ORIGINAL EC NO: E2007-0117 DRWN:DBYRNES 2006/10/11 CHKD: 2006/10/11 APPR:EOMAHONY 2006/10/12	QUALITY SYMBOLS	GENERAL TOLERANCES (UNLESS SPECIFIED)		DIMENSION STYLE	SCALE	DESIGN UNITS	THIRD ANGLE PROJECTION	
	$\nabla=0$ $\sphericalangle=0$	mm	INCH	MM ONLY	---	METRIC		
		4 PLACES ±---	±---	DRAWN BY	DATE	TITLE		
		3 PLACES ±---	±---	DBYRNES	2006/08/02	LOW PROFILE R/A JACK STANDARD T/HOLE VERSION STANDARD OPEN TRAY VERS		
	2 PLACES ±---	±---	CHECKED BY	DATE	MATERIAL NO.			
	1 PLACE ±---	±---	EOMAHONY	2006/08/12	SD-95501-001			
	ANGULAR ±---°	±---°	APPROVED BY	DATE	DOCUMENT NO.			
			EOMAHONY	2006/08/12	SHEET NO.			
			DRAFT WHERE APPLICABLE MUST REMAIN WITHIN DIMENSIONS		SEE CHART		4 OF 5	
			THIS DRAWING CONTAINS INFORMATION THAT IS PROPRIETARY TO MOLEX INCORPORATED AND SHOULD NOT BE USED WITHOUT WRITTEN PERMISSION					