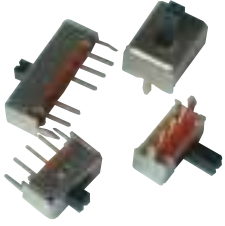


## SERIES SG



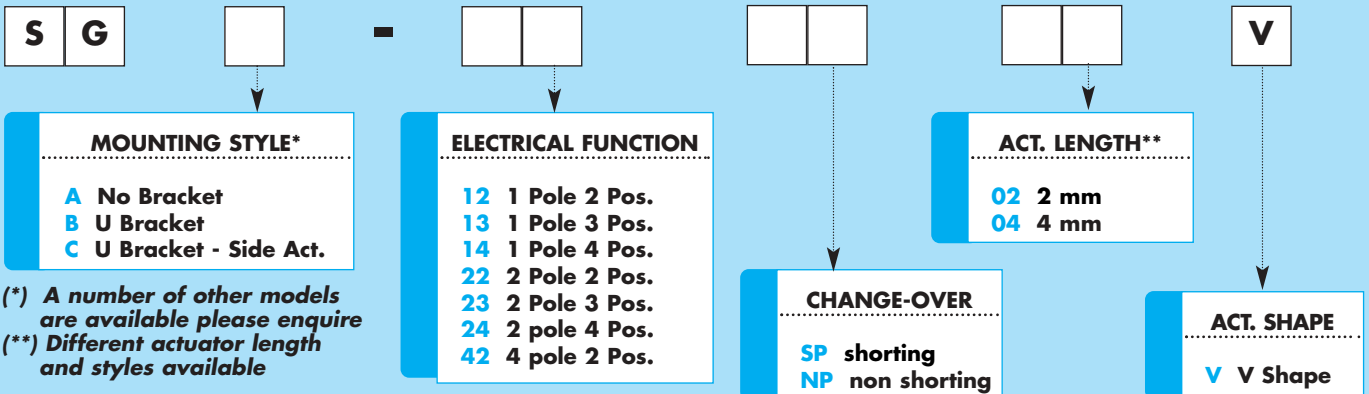
## CHARACTERISTICS

- Miniature Slide switches
- Contact-wipe Action
- 1, 2 and 4 Poles
- Straight and Side actuated
- 2 mm Terminal spacing

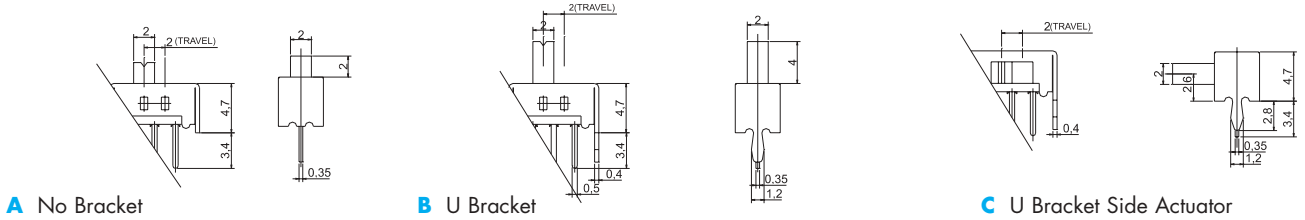
## SPECIFICATIONS

**Rating:** 100 mA max @ 12VDC  
**Contact Resistance:** 20 mΩ max initial  
**Insulation Resistance:** 100 MΩ min @ 500V  
**Temperature:** Operating -10°C to +60°C  
**Operating Life:** 10,000 operations  
**Operating Force:** 300±150 gf  
**Soldering specifications:** 240°C for 3 Secs  
**Contacts:** Silver plated

## HOW TO ORDER



## MOUNTING STYLE



## DIMENSIONS

