

---

# HM62256B Series

32,768-word × 8-bit High Speed CMOS Static RAM

# HITACHI

ADE-203-135D (Z)  
Rev. 4.0  
Nov. 29, 1995

---

## Description

The Hitachi HM62256B is a CMOS static RAM organized 32-kword × 8-bit. It realizes higher performance and low power consumption by employing 0.8 μm Hi-CMOS process technology. The device, packaged in 8 × 14 mm TSOP, 8 × 13.4 mm TSOP with thickness of 1.2 mm, 450-mil SOP (foot print pitch width), 600-mil plastic DIP, or 300-mil plastic DIP, is available for high density mounting. It offers low power standby power dissipation; therefore, it is suitable for battery back-up systems.

## Features

- High speed  
Fast access time: 45/55/70/85 ns (max)
- Low power  
Standby: 1.0 μW (typ)  
Operation: 25 mW (typ) (f = 1 MHz)
- Single 5 V supply
- Completely static memory  
No clock or timing strobe required
- Equal access and cycle times
- Common data input and output  
Three state output
- Directly TTL compatible  
All inputs and outputs
- Capability of battery back up operation

---

## HM62256B Series

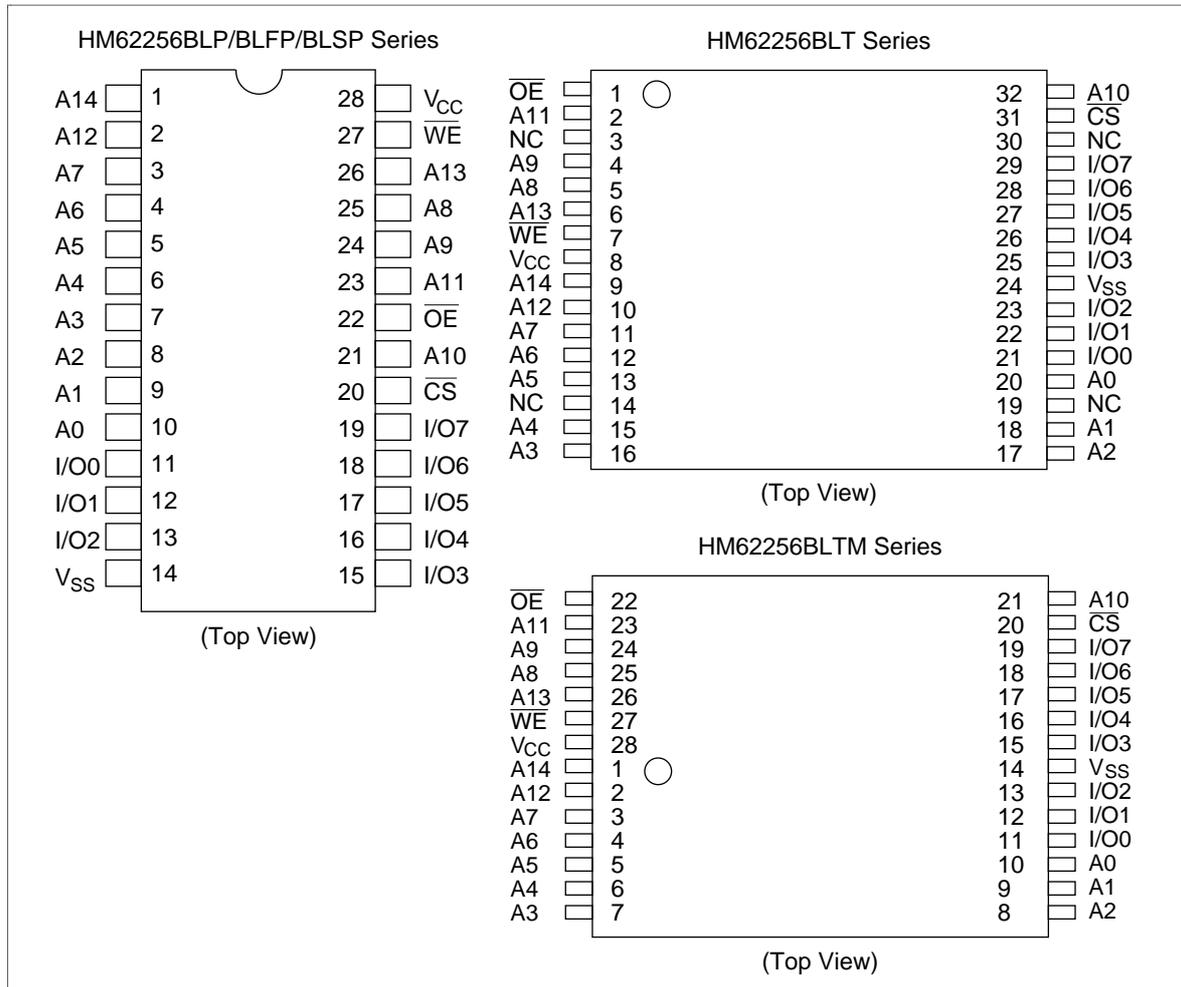
---

### Ordering Information

Type No.	Access Time	Package
HM62256BLP-7	70 ns	600-mil 28-pin plastic DIP (DP-28)
HM62256BLP-7SL	70 ns	
HM62256BLSP-7	70 ns	300-mil 28-pin plastic DIP (DP-28NA)
HM62256BLSP-7SL	70 ns	
HM62256BLFP-7T	70 ns	450-mil 28-pin plastic SOP (FP-28DA)
HM62256BLFP-4SLT <sup>1</sup>	45 ns	
HM62256BLFP-5SLT	55 ns	
HM62256BLFP-7SLT	70 ns	
HM62256BLFP-7ULT	70 ns	
HM62256BLT-8	85 ns	8 mm × 14 mm 32-pin TSOP (TFP-32DA)
HM62256BLT-7SL	70 ns	
HM62256BLTM-8	85 ns	8 mm × 13.4 mm 28-pin TSOP (TFP-28DA)
HM62256BLTM-4SL <sup>1</sup>	45 ns	
HM62256BLTM-5SL	55 ns	
HM62256BLTM-7SL	70 ns	
HM62256BLTM-7UL	70 ns	

Note: 1. Under development

## Pin Arrangement

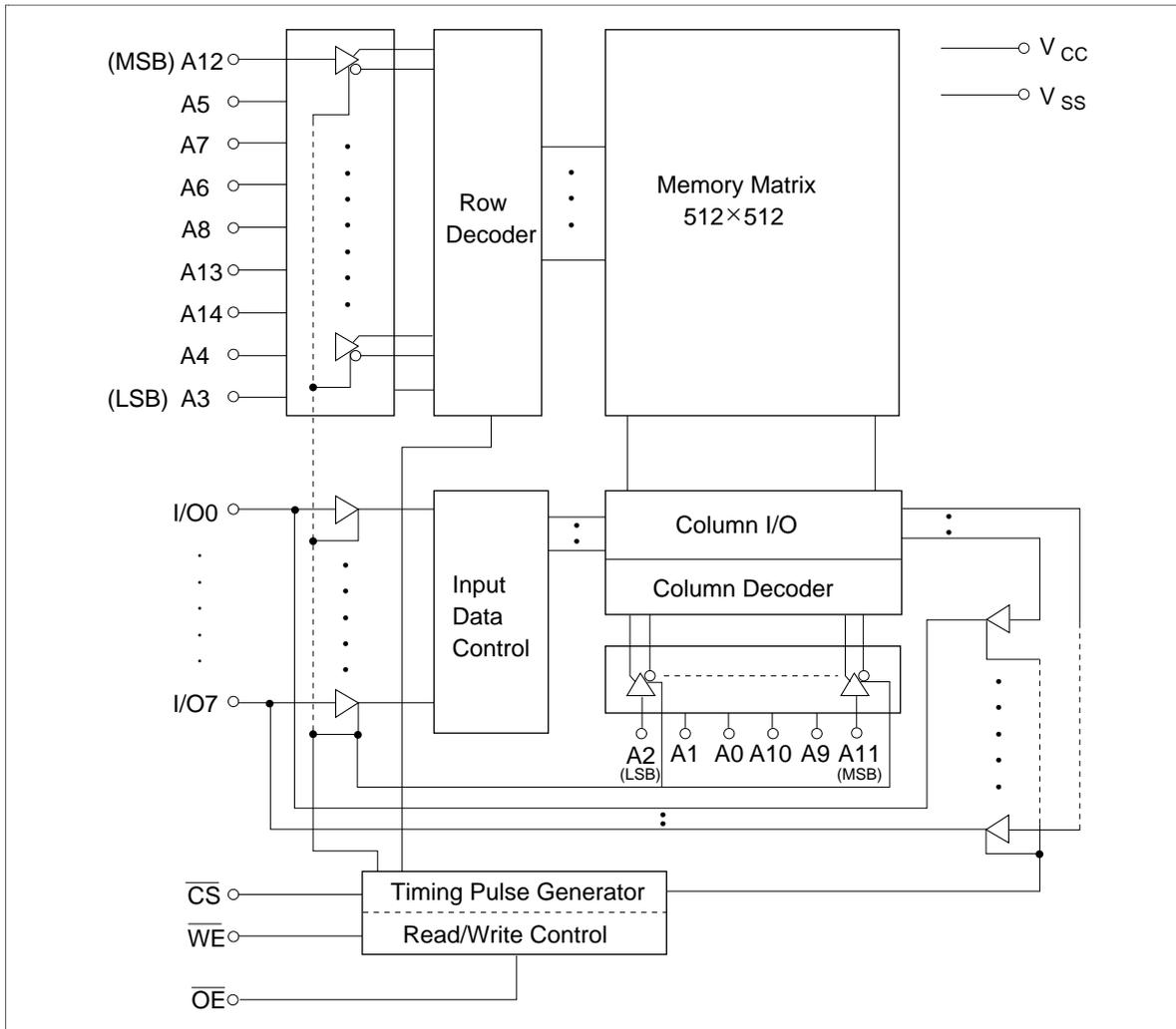


## Pin Description

Symbol	Function
A0 – A14	Address
I/O0 – I/O7	Input/output
CS	Chip select
WE	Write enable
OE	Output enable
NC	No connection
V <sub>CC</sub>	Power supply
V <sub>SS</sub>	Ground

# HM62256B Series

## Block Diagram



## Function Table

$\overline{WE}$	$\overline{CS}$	$\overline{OE}$	Mode	$V_{CC}$ Current	I/O Pin	Ref. Cycle
X	H	X	Not selected	$I_{SB}, I_{SB1}$	High-Z	—
H	L	H	Output disable	$I_{CC}$	High-Z	—
H	L	L	Read	$I_{CC}$	Dout	Read cycle (1)–(3)
L	L	H	Write	$I_{CC}$	Din	Write cycle (1)
L	L	L	Write	$I_{CC}$	Din	Write cycle (2)

Note: X: H or L

**Absolute Maximum Ratings**

Parameter	Symbol	Value	Unit
Power supply voltage <sup>*1</sup>	V <sub>CC</sub>	-0.5 to +7.0	V
Terminal voltage <sup>*1</sup>	V <sub>T</sub>	-0.5 <sup>*2</sup> to V <sub>CC</sub> + 0.3 <sup>*3</sup>	V
Power dissipation	P <sub>T</sub>	1.0	W
Operating temperature	T <sub>opr</sub>	0 to +70	°C
Storage temperature	T <sub>stg</sub>	-55 to +125	°C
Storage temperature under bias	T <sub>bias</sub>	-10 to +85	°C

- Notes: 1. Relative to V<sub>SS</sub>  
2. V<sub>T</sub> min: -3.0 V for pulse half-width ≤ 50 ns  
3. Maximum voltage is 7.0 V

**Recommended DC Operating Conditions (Ta = 0 to +70°C)**

Parameter	Symbol	Min	Typ	Max	Unit
Supply voltage	V <sub>CC</sub>	4.5	5.0	5.5	V
	V <sub>SS</sub>	0	0	0	V
Input high (logic 1) voltage	V <sub>IH</sub>	2.2	—	V <sub>CC</sub> +0.3	V
Input low (logic 0) voltage	V <sub>IL</sub>	-0.5 <sup>*1</sup>	—	0.8	V

- Note: 1. V<sub>IL</sub> min: -3.0 V for pulse half-width ≤ 50 ns

## HM62256B Series

**DC Characteristics** (Ta = 0 to +70°C, V<sub>CC</sub> = 5 V ±10%, V<sub>SS</sub> = 0 V)

Parameter		Symbol	Min	Typ*1	Max	Unit	Test Conditions
Input leakage current		I <sub>LI</sub>	—	—	1	μA	V <sub>in</sub> = V <sub>SS</sub> to V <sub>CC</sub>
Output leakage current		I <sub>LO</sub>	—	—	1	μA	$\overline{CS} = V_{IH}$ or $\overline{OE} = V_{IH}$ or $\overline{WE} = V_{IL}$ , V <sub>SS</sub> ≤ V <sub>I/O</sub> ≤ V <sub>CC</sub>
Operating power supply current		I <sub>CC</sub>	—	6	15	mA	$\overline{CS} = V_{IL}$ , others = V <sub>IH</sub> /V <sub>IL</sub> I <sub>I/O</sub> = 0 mA
Average operating power supply current	HM62256B-4	I <sub>CC1</sub>	—	—	70	mA	min cycle, duty = 100 %, I <sub>I/O</sub> = 0 mA $\overline{CS} = V_{IL}$ , others = V <sub>IH</sub> /V <sub>IL</sub>
	HM62256B-5	I <sub>CC1</sub>	—	—	60		
	HM62256B-7	I <sub>CC1</sub>	—	33	60		
	HM62256B-8	I <sub>CC1</sub>	—	29	50		
		I <sub>CC2</sub>	—	5	15	mA	Cycle time = 1 μs, I <sub>I/O</sub> = 0 mA $\overline{CS} = V_{IL}$ , V <sub>IH</sub> = V <sub>CC</sub> , V <sub>IL</sub> = 0
Standby power supply current		I <sub>SB</sub>	—	0.3	2	mA	$\overline{CS} = V_{IH}$
		I <sub>SB1</sub>	—	0.2	100	μA	V <sub>in</sub> ≥ 0 V, $\overline{CS} ≥ V_{CC} - 0.2$ V,
			—	0.2 <sup>*2</sup>	50 <sup>*2</sup>		
			—	0.2 <sup>*3</sup>	10 <sup>*3</sup>		
Output low voltage		V <sub>OL</sub>	—	—	0.4	V	I <sub>OL</sub> = 2.1 mA
Output high voltage		V <sub>OH</sub>	2.4	—	—	V	I <sub>OH</sub> = -1.0 mA

- Notes: 1. Typical values are at V<sub>CC</sub> = 5.0 V, Ta = +25°C and not guaranteed.  
 2. This characteristics is guaranteed only for L-SL version.  
 3. This characteristics is guaranteed only for L-UL version.

**Capacitance** (Ta = 25°C, f = 1.0 MHz)<sup>\*1</sup>

Parameter	Symbol	Min	Typ	Max	Unit	Test Conditions
Input capacitance <sup>*1</sup>	C <sub>in</sub>	—	—	8	pF	V <sub>in</sub> = 0 V
Input/output capacitance <sup>*1</sup>	C <sub>I/O</sub>	—	—	10	pF	V <sub>I/O</sub> = 0 V

- Note: 1. This parameter is sampled and not 100% tested.

**AC Characteristics** ( $T_a = 0$  to  $+70^\circ\text{C}$ ,  $V_{CC} = 5\text{ V} \pm 10\%$ , unless otherwise noted.)

**Test Conditions**

- Input pulse levels: 0.8 V to 2.4 V
- Input rise and fall times: 5 ns
- Input and output timing reference level: 1.5 V
- Output load: HM62256B-4: 1 TTL Gate +  $C_L$  (30 pF)(Including scope & jig)  
 HM62256B-5: 1 TTL Gate +  $C_L$  (50 pF)(Including scope & jig)  
 HM62256B-7/8: 1 TTL Gate +  $C_L$  (100 pF)(Including scope & jig)

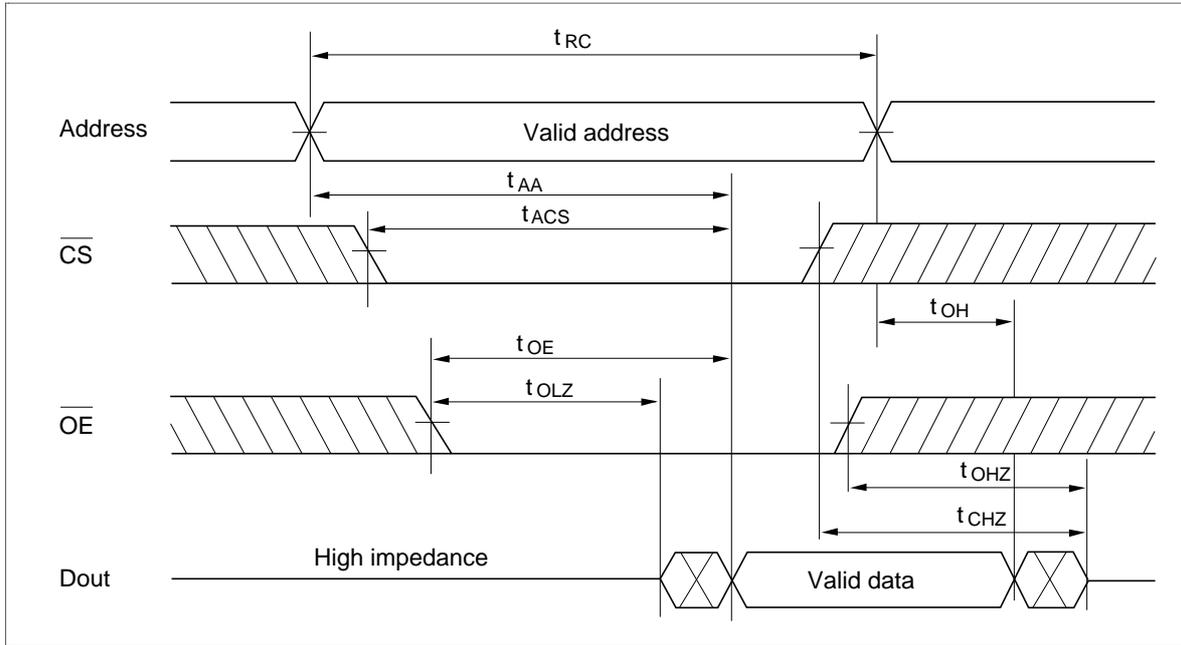
**Read Cycle**

Parameter	Symbol	HM62256B								Unit	Notes
		-4		-5		-7		-8			
		Min	Max	Min	Max	Min	Max	Min	Max		
Read cycle time	$t_{RC}$	45	—	55	—	70	—	85	—	ns	
Address access time	$t_{AA}$	—	45	—	55	—	70	—	85	ns	
Chip select access time	$t_{ACS}$	—	45	—	55	—	70	—	85	ns	
Output enable to output valid	$t_{OE}$		30	—	35	—	40	—	45	ns	
Chip selection to output in low-Z	$t_{CLZ}$	5	—	5	—	10	—	10	—	ns	2
Output enable to output in low-Z	$t_{OLZ}$	5	—	5	—	5	—	5	—	ns	2
Chip deselection in to output in high-Z	$t_{CHZ}$	0	20	0	20	0	25	0	30	ns	1, 2
Output disable to output in high-Z	$t_{OHZ}$	0	20	0	20	0	25	0	30	ns	1, 2
Output hold from address change	$t_{OH}$	5	—	5	—	5	—	10	—	ns	

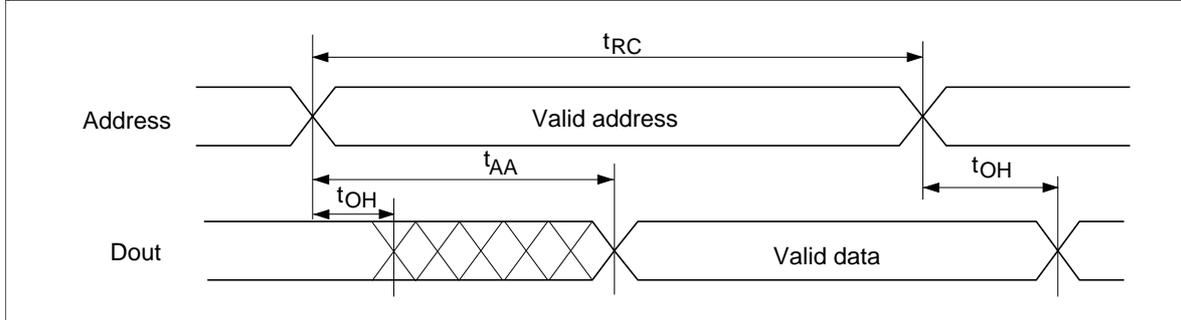
- Notes: 1.  $t_{CHZ}$  and  $t_{OHZ}$  defined as the time at which the outputs achieve the open circuit conditions and are not referred to output voltage levels.  
 2. This parameter is sampled and not 100% tested.

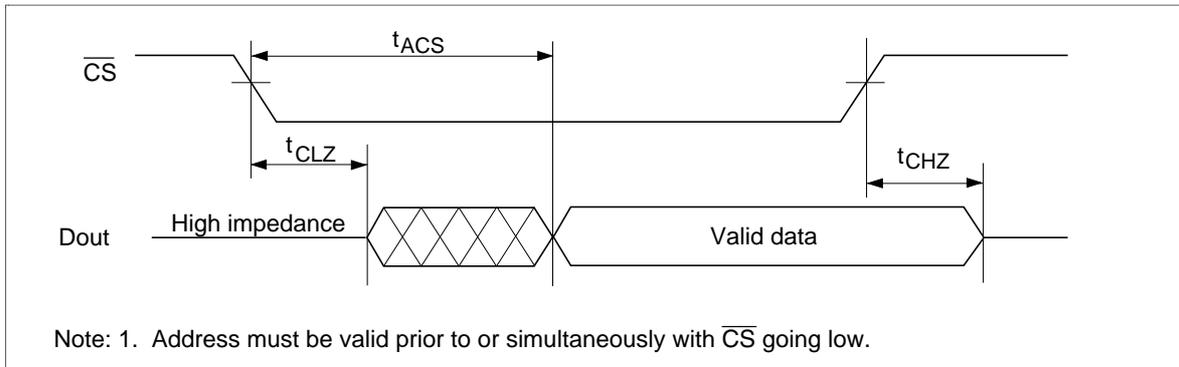
# HM62256B Series

Read Timing Waveform (1) ( $\overline{WE}=V_{IH}$ )



Read Timing Waveform (2) ( $\overline{WE}=V_{IH}, \overline{CS}=V_{IL}, \overline{OE}=V_{IL}$ )



**Read Timing Waveform (3) ( $\overline{WE}=V_{IH}$ ,  $\overline{OE}=V_{IL}$ )\*<sup>1</sup>**

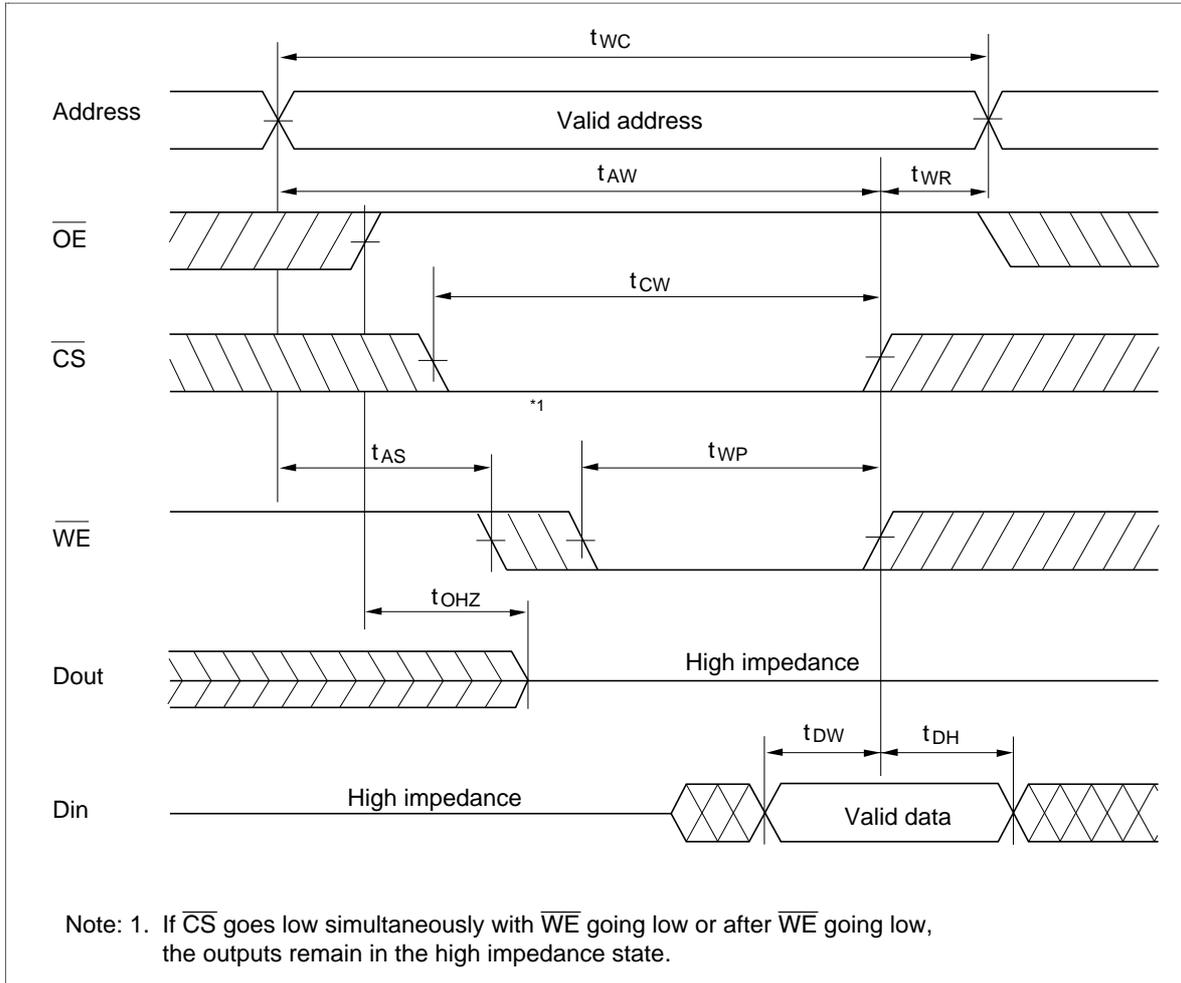
## HM62256B Series

### Write Cycle

		HM62256B									
		-4		-5		-7		-8			
Parameter	Symbol	Min	Max	Min	Max	Min	Max	Min	Max	Unit	Notes
Write cycle time	$t_{WC}$	45	—	55	—	70	—	85	—	ns	
Chip selection to end of write	$t_{CW}$	35	—	40	—	60	—	75	—	ns	4
Address setup time	$t_{AS}$	0	—	0	—	0	—	0	—	ns	5
Address valid to end of write	$t_{AW}$	35	—	40	—	60	—	75	—	ns	
Write pulse width	$t_{WP}$	30	—	35	—	50	—	55	—	ns	3, 8
Write recovery time	$t_{WR}$	0	—	0	—	0	—	0	—	ns	6
$\overline{WE}$ to output in high-Z	$t_{WHZ}$	0	20	0	20	0	25	0	40	ns	1, 2, 7
Data to write time overlap	$t_{DW}$	20	—	25	—	30	—	35	—	ns	
Data hold from write time	$t_{DH}$	0	—	0	—	0	—	0	—	ns	
Output active from end of write	$t_{OW}$	5	—	5	—	5	—	5	—	ns	2
Output disable to output in high-Z	$t_{OHZ}$	0	20	0	20	0	25	0	40	ns	1, 2, 7

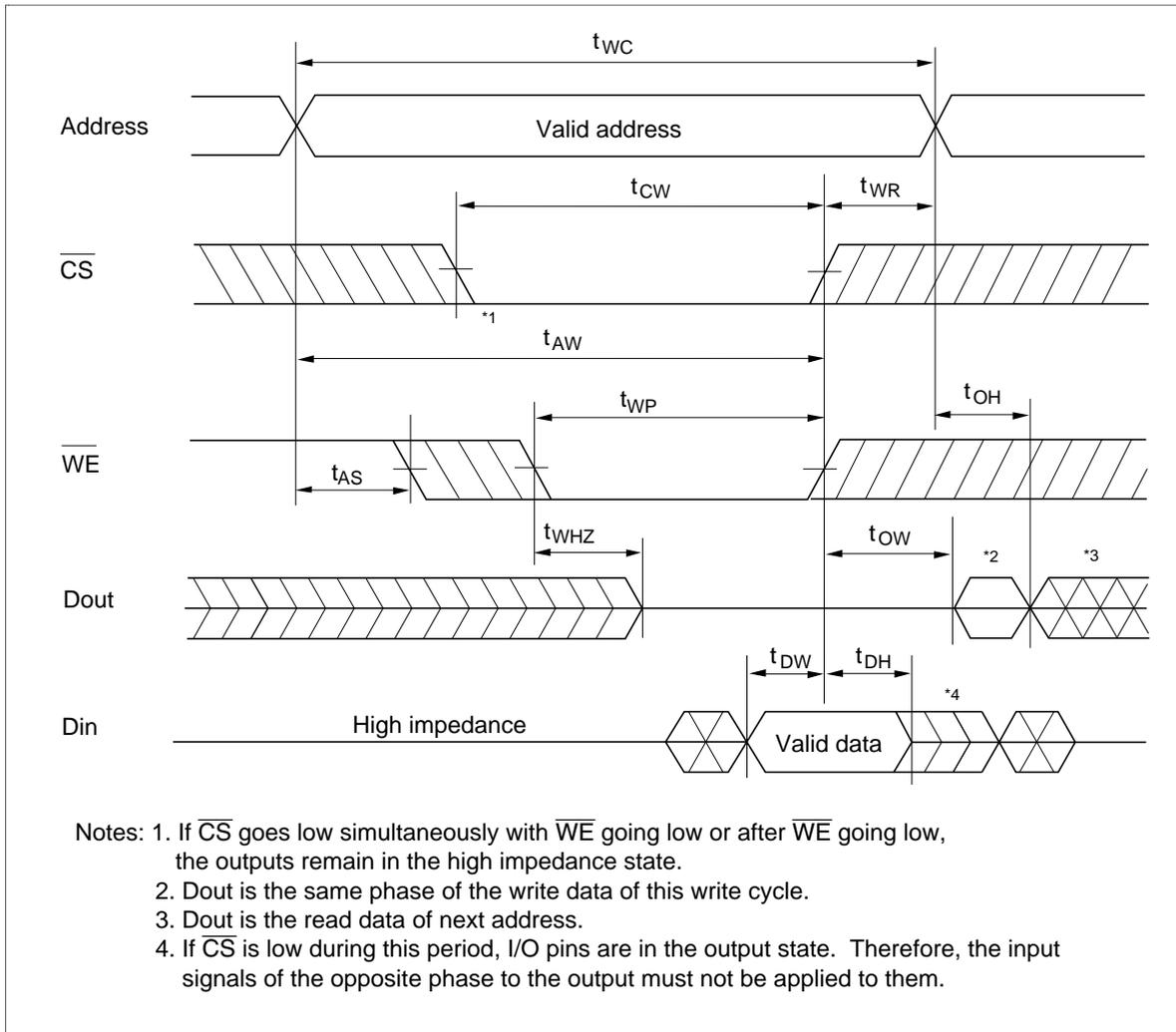
- Notes:
1.  $t_{OHZ}$  and  $t_{WHZ}$  are defined as the time at which the outputs achieve the open circuit conditions and are not referred to output voltage levels.
  2. This parameter is sampled and not 100% tested.
  3. A write occurs during the overlap ( $t_{WP}$ ) of a low  $\overline{CS}$  and a low  $\overline{WE}$ . A write begins at the later transition of  $\overline{CS}$  going low or  $\overline{WE}$  going low. A write ends at the earlier transition of  $\overline{CS}$  going high or  $\overline{WE}$  going high.  $t_{WP}$  is measured from the beginning of write to the end of write.
  4.  $t_{CW}$  is measured from  $\overline{CS}$  going low to the end of write.
  5.  $t_{AS}$  is measured from the address valid to the beginning of write.
  6.  $t_{WR}$  is measured from the earlier of  $\overline{WE}$  or  $\overline{CS}$  going high to the end of write cycle.
  7. During this period, I/O pins are in the output state so that the input signals of the opposite phase to the outputs must not be applied.
  8. In the write cycle with  $\overline{OE}$  low fixed,  $t_{WP}$  must satisfy the following equation to avoid a problem of data bus contention,  $t_{WP} \geq t_{WHZ} \max + t_{DW} \min$ .

Write Timing Waveform (1) ( $\overline{\text{OE}}$  Clock)



## HM62256B Series

### Write Timing Waveform (2) ( $\overline{OE}$ Low Fixed) ( $\overline{OE} = V_{IL}$ )

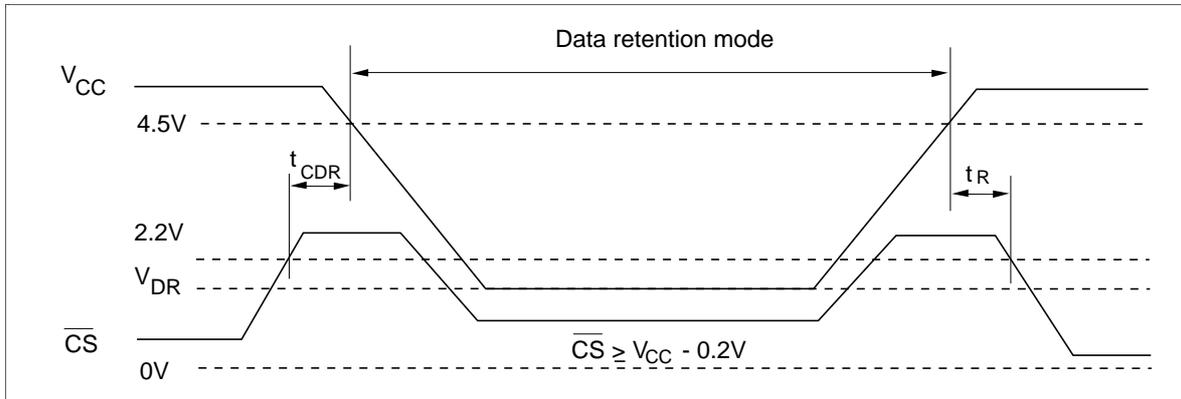


## Low $V_{CC}$ Data Retention Characteristics ( $T_a = 0$ to $+70^\circ\text{C}$ )

Parameter	Symbol	Min	Typ* <sup>1</sup>	Max	Unit	Test Conditions <sup>6</sup>
$V_{CC}$ for data retention	$V_{DR}$	2.0	—	5.5	V	$\overline{CS} \geq V_{CC} - 0.2$ V, $V_{in} \geq 0$ V
Data retention current	$I_{CCDR}$	—	0.05	$30^{*2}$	$\mu\text{A}$	$V_{CC} = 3.0$ V, $V_{in} \geq 0$ V
		—	0.05	$10^{*3}$		$\overline{CS} \geq V_{CC} - 0.2$ V,
		—	0.05	$3^{*4}$		
Chip deselect to data retention time	$t_{CDR}$	0	—	—	ns	See retention waveform
Operation recovery time	$t_R$	$t_{RC}^{*5}$	—	—	ns	

- Notes:
1. Typical values are at  $V_{CC} = 3.0$  V,  $T_a = 25^\circ\text{C}$  and not guaranteed.
  2.  $10 \mu\text{A}$  max at  $T_a = 0$  to  $+40^\circ\text{C}$ .
  3. This characteristics guaranteed for only L-SL version.  $3 \mu\text{A}$  max at  $T_a = 0$  to  $+40^\circ\text{C}$ .
  4. This characteristics guaranteed for only L-UL version.  $0.6 \mu\text{A}$  max at  $T_a = 0$  to  $+40^\circ\text{C}$ .
  5.  $t_{RC}$  = read cycle time.
  6.  $\overline{CS}$  controls address buffer,  $\overline{WE}$  buffer,  $\overline{OE}$  buffer, and  $D_{in}$  buffer. If  $\overline{CS}$  controls data retention mode, other input levels (address,  $\overline{WE}$ ,  $\overline{OE}$ , I/O) can be in the high impedance state.

### Low $V_{CC}$ Data Retention Timing Waveform

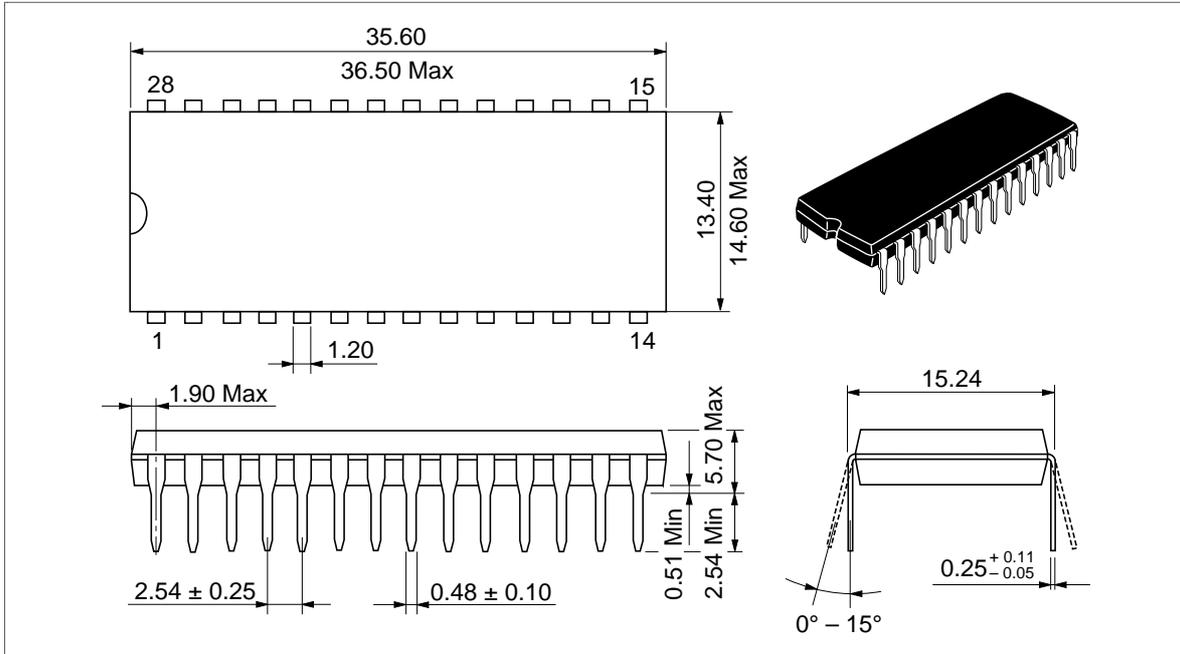


# HM62256B Series

## Package Dimensions

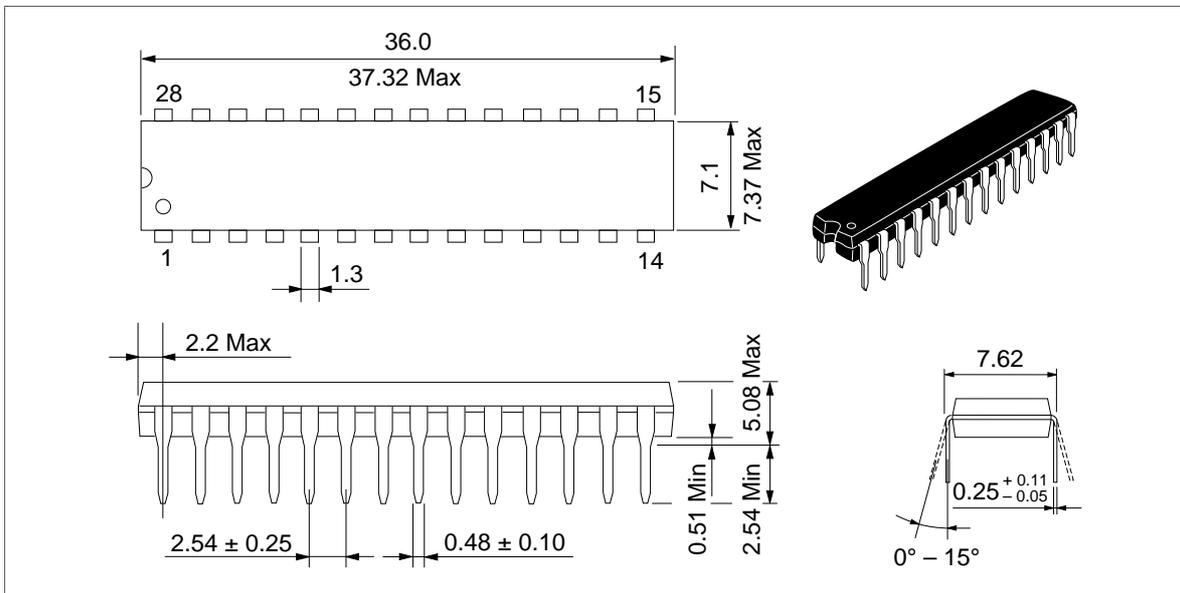
HM62256BLP Series (DP-28)

Unit: mm



HM62256BLSP Series (DP-28NA)

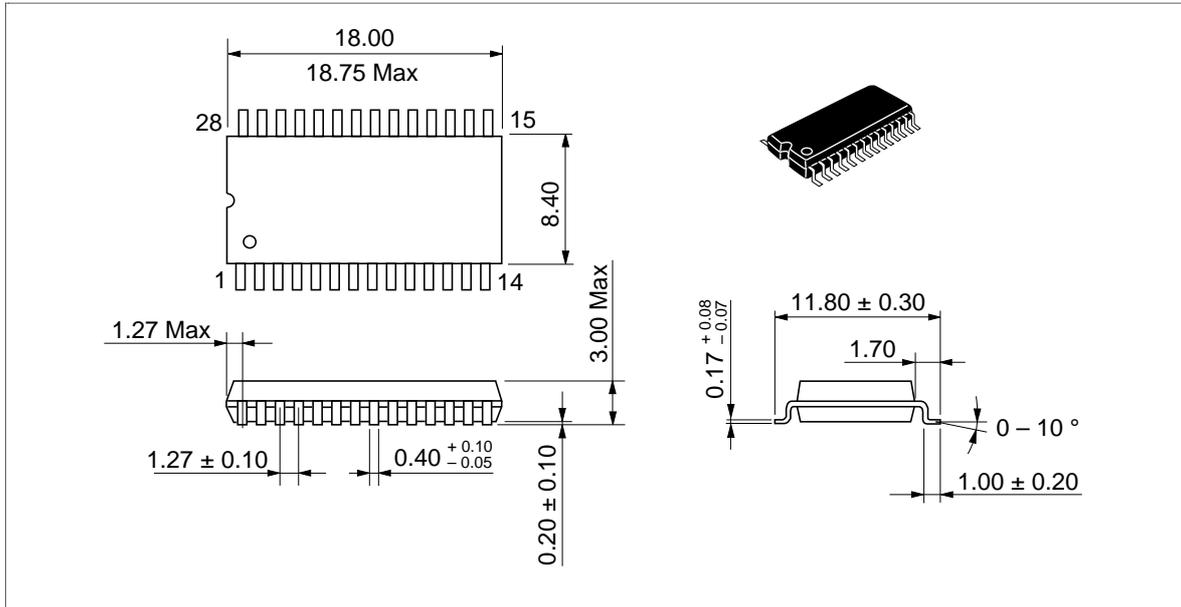
Unit: mm



# HM62256B Series

## HM62256BLFP Series (FP-28DA)

Unit: mm



## HM62256BLT Series (TFP-32DA)

Unit: mm

